

IMPRESSIONS
AUSTRALIA**INSTALLATION NOTES**

Before starting the installation process, it's essential to unpack and thoroughly inspect the products to verify that they are correct and undamaged.

If any damage or visible defects are found, refrain from proceeding with the installation and contact your supplier right away. Claims for defects or damages will not be accepted once the installation is complete.

To prevent damage, store the unit safely until it is ready for installation. Additionally, ensure the product is adequately protected throughout the installation process, as damage caused by negligence or improper installation methods is not covered under warranty.

The empty weight of the solid surface baths varies from 150kg to 220kg depending on the specific model chosen. Please refer to the model and size for exact weight.

Proper handling techniques must be employed during the transportation, movement, and installation of Solid Surface Bath products. The installation process must comply with standard building regulations established by local authorities and should be conducted by qualified tradespeople. The provided instructions cover only the installation of supplied components, while the waste connection procedure must be determined and executed by qualified tradespeople.



BATH INSTALLATION

Step 1: Prepare the Installation Area - Ensure the floor is level, clean, and free of moisture and debris before beginning the installation process.

Step 2: Position the Bath - Place the bath in its final installation location and mark the bath's footprint and waste point on the floor using an erasable marker. Cross-check the dimensions against those provided in Figures 2a and 2b (Overpage).

Step 3: Prepare the Waste Outlet - Remove any excess floor material around the waste outlet to accommodate the necessary plumbing fixtures (refer to Figure 1).

Plumbing fixtures are not supplied, so a qualified tradesperson should select the appropriate components for installation. Follow similar installation principles for concrete, timber, or chipboard floors, whether on ground level or upper floors.

Step 4: Position the Bath on Timber Blocks - Place the bath on timber blocks positioned at the head and base of the unit, ensuring it is aligned with the prepared waste point (refer to Figure 5).

Step 5: Install the Waste and Plumbing - Once the plumbing and trap are correctly positioned, insert the waste through the bath and secure it in place by hand-tightening the lock nut (refer to Figure 3).

Ensure the plug is properly centered in the waste hole as the lock nut is tightened.

The overflow slot on the waste assembly must align with the bath's overflow to ensure proper drainage (refer to Figure 4).

It is recommended to use a SMART SEAL to create a watertight seal for the waste connection.

Step 6: Test for Leaks - Conduct a leak test on the bath and all connected components before lowering the bath from the timber blocks. Allow 24 hours for the installation to set before other tradespeople perform additional work around the bath.

Step 7: Lower the Bath into Position - Carefully remove the timber blocks and lower the bath onto the floor. Verify that the bath is correctly positioned according to the initial layout.

Step 8: Seal the Bath Perimeter - Apply bathroom-grade wet-area silicone to seal the gap between the bath base and the floor surface. Immediately remove any excess silicone and allow the sealant to cure as specified in the product instructions.

Important Note: Perform a final water test on the bath after installation to check for leaks and proper drainage.

No claims for defects or damages will be accepted once the bath is sealed, enclosed, or tiled.

BATH INSTALLATION

Figure 1.

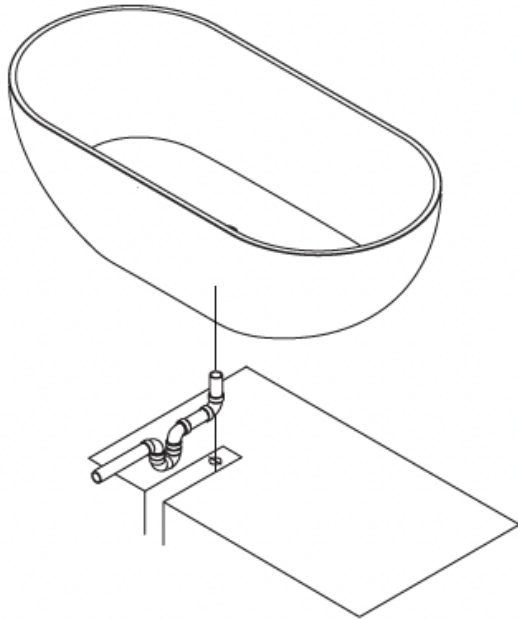


Figure 2a.

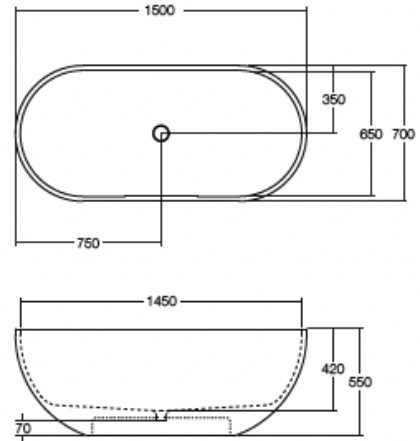


Figure 2b.

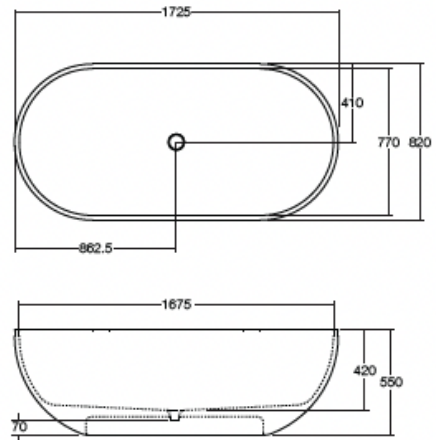


Figure 3.

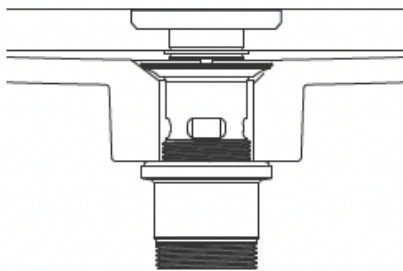


Figure 4.

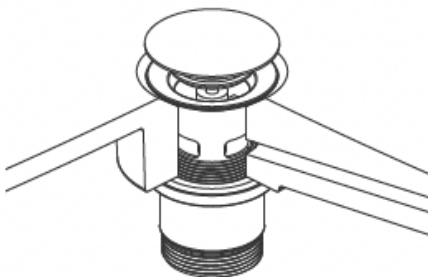
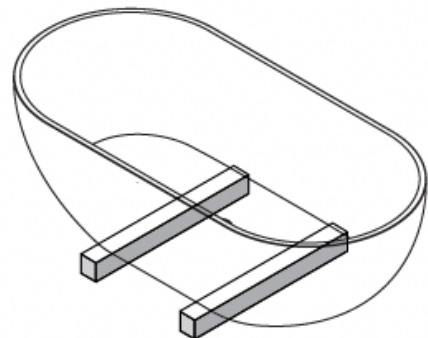


Figure 5.



Note: Drawings are only indicative

CLEANING INSTRUCTIONS

General Cleaning Tips

Start with a Basic Clean: Begin with a basic clean and escalate to a deep clean if needed. Regular cleaning helps maintain the surface's appearance and minimizes dirt buildup and wear.

Consistent Cleaning Approach: To ensure a uniform appearance, clean or sand the entire surface consistently.

Final Wipe and Drying: Always remove all detergent residue and finish by drying the surface with a soft, clean cloth for the best results.

What to Avoid: No Sharp or Abrasive Tools - Avoid using sharp objects like steel wool, as well as harsh commercial-grade cleaners or strong chemicals (e.g., acetone, trichloroethylene, acids, or caustic soda), as they may scratch or damage the surface.

Basic Clean: Clean spills as soon as they happen. Use a mild detergent or soapy water along with a soft cloth, sponge, or non-scratch scourer*.

Deep Clean: For tougher stains caused by cosmetics, ink, or other persistent marks, use a diluted mild abrasive cleaner* with a soft cloth or non-scratch scourer*. Clean in circular motions to lift stains effectively.

Intense Clean / Repair: For stubborn marks or light scratches, lightly buff the surface using fine-grade sandpaper or glass paper in circular motions. For deeper scratches, start with a heavier-grade sandpaper to remove the scratch, then switch to a fine-grade paper to restore the finish. Avoid applying excessive pressure or focusing on one spot for too long unless you are repairing specific damage.

Important Note: Test Before Use: Always test "non-scratch" and "mild abrasive" products on a hidden area to ensure compatibility, as different brands may have varying effects on the surface.



Regular cleaning
Use a soft cloth or sponge and mild detergent for regular cleaning



Intense clean/repair
Use finest grade sand/glass paper applying only light pressure to restore surface



Do not use heavy duty detergents, harsh chemicals, rough scourers or steel wool